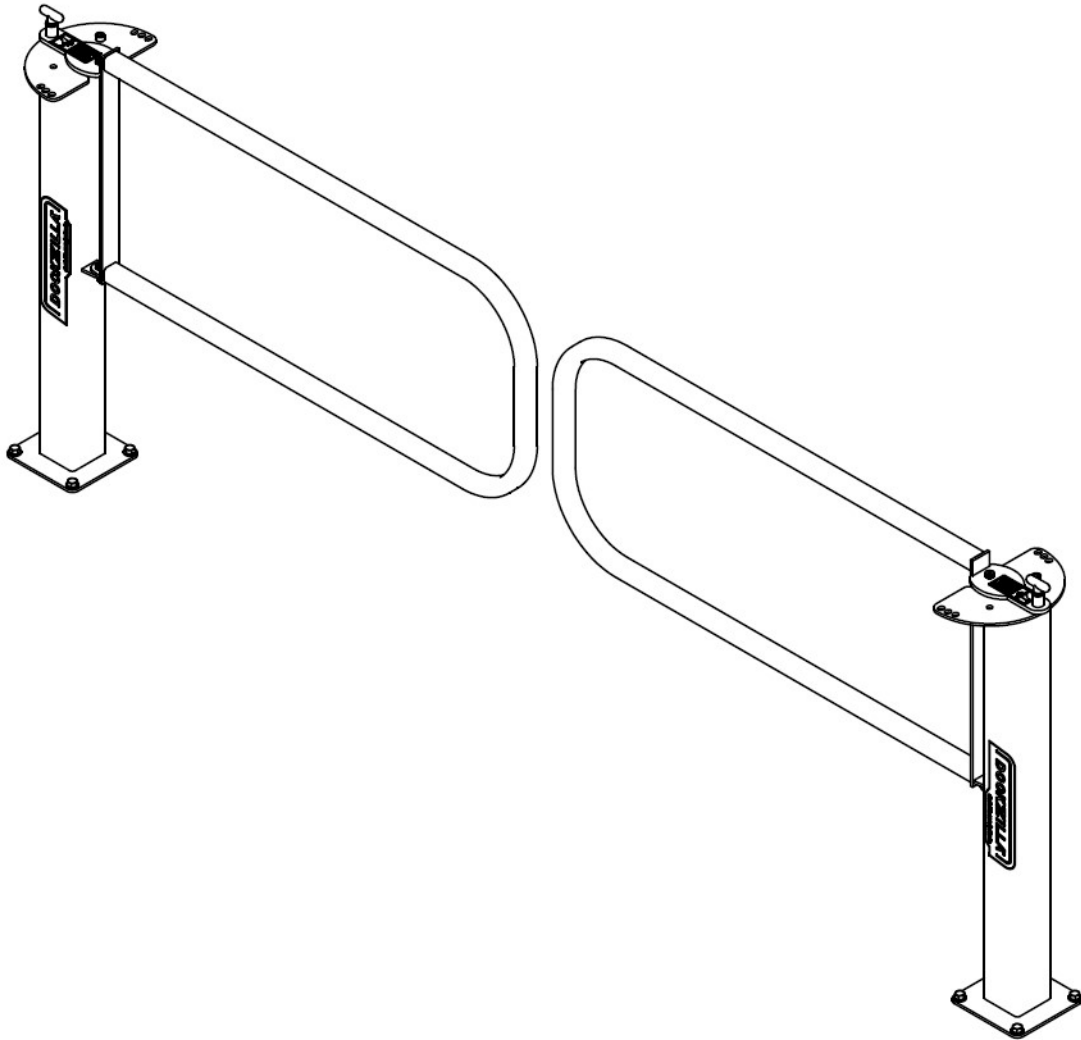




SWING GATE OWNER'S MANUAL



⚠ WARNING

Do not install, operate, or service this product unless you have read and understand the Safety Practices, Warnings, Installation and Operating Instructions contained in this User's Manual. Failure to do so could result in death or serious injury.

TABLE OF CONTENTS

INTRODUCTION	2
WARRANTY.....	2
IMPORTANT	2
CAPACITY.....	2
OWNER RESPONSIBILITY	2
SAFETY WARNING DEFINITIONS	3
PRODUCT SAFETY WARNINGS	3
FEATURES	3
SETUP	ERROR! BOOKMARK NOT DEFINED.
TOOLS REQUIRED	4
INSTALLATION	4
OPERATION INSTRUCTIONS	5
ADJUSTING GATE POSITION	5
MAINTENANCE.....	5
DAILY MAINTENANCE	5
QUARTERLY MAINTENANCE	5
YEARLY MAINTENANCE.....	5
REPLACEMENT PARTS	6
STANDARD WARRANTY.....	7

INTRODUCTION

WARRANTY

See Back of Owner's Manual.

IMPORTANT

Read and understand contents of this manual prior to installation or operation of this equipment.

CAPACITY

This gate is a personnel & visual barrier. It is not rated to stop any manual or powered material handling equipment.

OWNER RESPONSIBILITY

1. The owner should recognize the inherent danger of the interface between dock and transport vehicle. The owner should, therefore, train and instruct operators in the safe use of dock equipment in accordance with the information provided below. The manufacturer shall provide to the initial purchaser, and make the following information readily available to the owner:
 - Installation instructions
 - Recommended initial and periodic inspections procedures.
 - Maintenance procedures
 - Operating instructions
 - Descriptions/specifications for replaceable/repairable parts

It shall be the responsibility of the owner to verify that the material listed in this section has been received and that it is made available for the instruction and training of personnel entrusted with the use or maintenance of the dock equipment.
2. When a transport vehicle is parked at a loading dock, it is important that the vehicle is relatively perpendicular to the dock face and in close contact with at least one of the dock bumpers
3. Nameplates, cautions, instructions, and posted warnings shall not be obscured from the view of operating or maintenance personnel for whom such warnings are intended.
4. Manufacturer's recommended periodic maintenance and inspection procedures in effect at date of shipment shall be followed, and written records of the performance of these procedures should be kept.
5. Dock equipment that is structurally damaged shall be removed from service, inspected by a manufacturer's authorized representative, and repaired as needed before being placed back in service.
6. The manufacturer shall make available replacement nameplates, caution/instruction labels, and operating/maintenance manuals upon request of the owner. The owner shall see that all nameplates, caution/instruction markings or labels are in place and legible, and that the appropriate operating/maintenance manuals are provided to users.
7. Modifications or alterations of dock equipment shall be made only with written permission of the original manufacturer. These changes shall also satisfy all safety recommendations of the original equipment manufacturer for the application of the dock equipment.
8. When industrial trucks are driven on and off transport vehicles during the loading and unloading process, the brakes on the transport vehicle shall be applied and wheel chocks or a positive restraining device shall be engaged.

SAFETY WARNING DEFINITIONS

⚠ DANGER

DANGER statements indicate an imminently hazardous situation. Failure to follow the listed instructions will result in serious injury or death!

⚠ CAUTION

CAUTION statements indicate a potentially hazardous situation. Failure to follow the listed instructions may result in minor to moderate injury or property damage!

⚠ WARNING

WARNING statements indicate a potentially hazardous situation. Failure to follow the listed instructions may result in serious injury or death!

NOTICE

NOTICE statements are used to indicate procedures that must be followed to avoid equipment or property damage.

PRODUCT SAFETY WARNINGS

⚠ DANGER

ALWAYS communicate with the transport vehicle driver to ensure an understanding of the loading or unloading procedure.

⚠ CAUTION

Follow the maintenance schedule to ensure that there are no broken parts that might cause injury to workers or damage to the equipment.

⚠ WARNING

NEVER perform maintenance without barricading the work area to warn that work is being done.

If a malfunction occurs contact Dockzilla Co. or local representative and discontinue use of gate until the issue has been resolved.

NEVER place hands near pinch points as this can cause physical injury

FEATURES

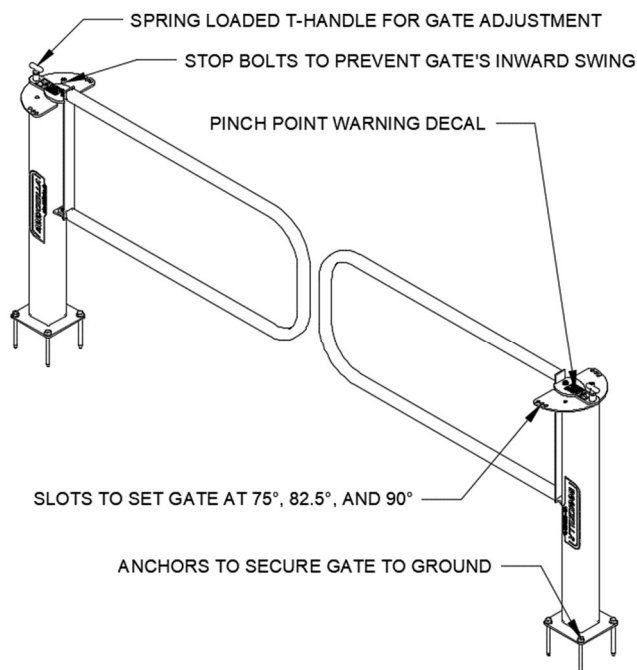


Figure 1: Swing Gate Features

INSTALLATION

TOOLS REQUIRED

- Rotary Hammer and 1/2" concrete bit (minimum 8" long)
- 3/4" socket and impact wrench

INSTALLATION STEPS

1. Upon arrival, inspect all equipment for any damage and verify all components have arrived.
2. Move swing gate to desired location and set in place.
 - a. Ensure gates are aligned and properly spaced. (See Figure 2)

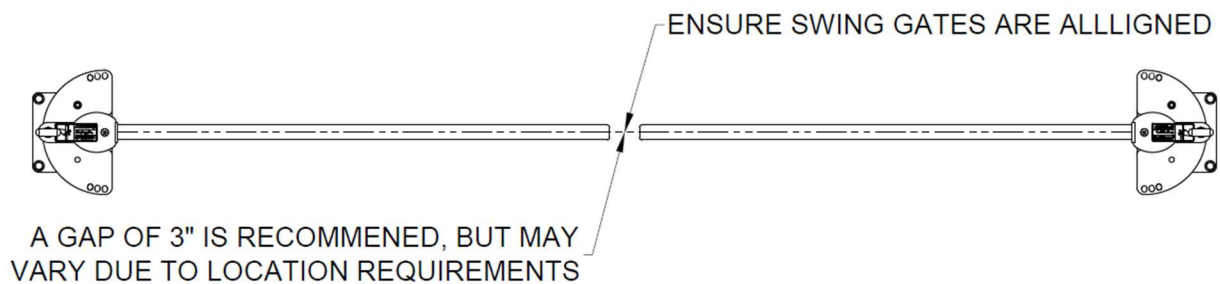


Figure 2: Swing Gate Install Position

- b. Dockzilla decal should face into the building
3. Anchor footpads using Ø1/2" x 6" anchor screws.
 4. Swing direction may be adjusted (See Figure 3)
 - a. Remove stop bolt to allow gate to swing in either direction.
 - b. Install bolt in hole closest to door to prevent gate from opening into the building.
 - c. Install bolt in hole furthest from the door to stop gate from swinging into the door.

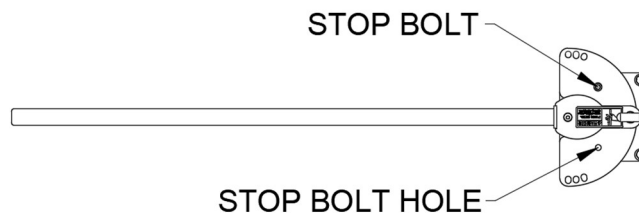


Figure 3: Swing Direction Adjustment

OPERATION INSTRUCTIONS

CAUTION

Before use, ensure the path of the swing gate is clear and the proper maintenance has been performed.

While operating, keep hands away from pinch point areas, which are designated by pinch point decals, to avoid physical injury

Whenever the dock is not currently in use, the swing gate should be stored in the closed position. Failure to do so could result in physical injury or damage to equipment

ADJUSTING GATE POSITION

1. Pull up on the spring-loaded T-handle.
2. Push or pull gate face while pulling up on T-handle until gate is opened at the desired angle of 75°, 82.5°, or 90°.
3. Release the T-handle and ensure that it has been fully inserted into the slot corresponding to the desired angle.
4. After dock use has been concluded, move the swing gate back to the closed position.

MAINTENANCE

DAILY MAINTENANCE

1. Remove any debris on or around the swing gate.

QUARTERLY MAINTENANCE

1. Perform all daily maintenance.
2. Check for any loose fasteners. Retighten as needed. Replace any damaged or broken fasteners with SAE Grade 5 (or higher) fasteners of the same diameter.
3. Inspect swing gate for structural damage, cracked welds, bent structural members, etc. If an issue is found, discontinue use until the issue is resolved.

YEARLY MAINTENANCE

1. Perform all 90-day maintenance.

REPLACEMENT PARTS

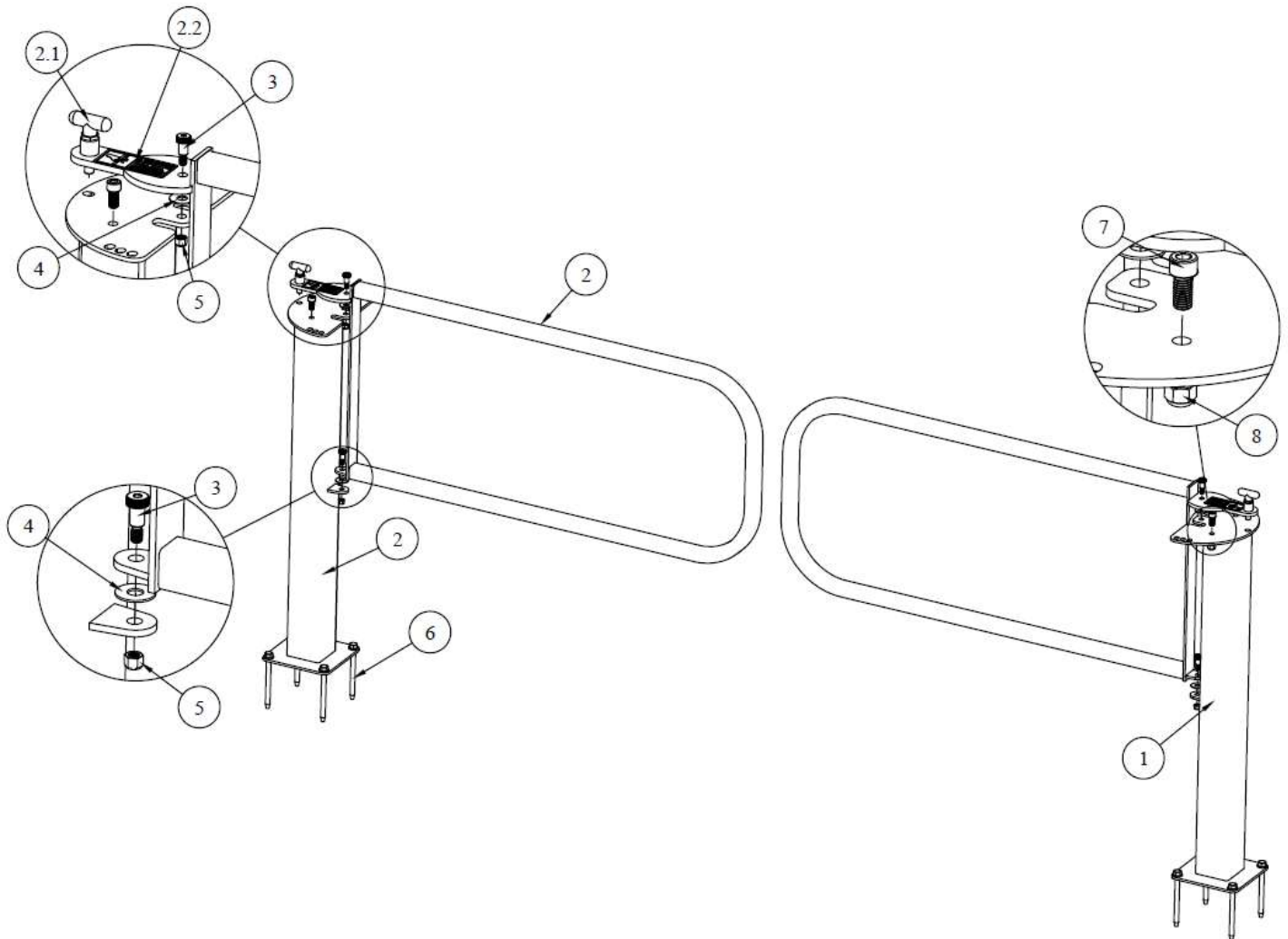


Figure 4: Replacement Parts

MDG12692-108 REPLACEMENT PARTS			
ITEM	DESCRIPTION	PART NUMBER	QTY
1	POST WELDMENT	MDG 12692-A1	2
2	HINGE GATE WELDMENT-108	MDG 12692-108-A2	2
2.1	SPRING PLUNGER WITH T-HANDLE 0.5" PIN X 1.5"L	90222A116	2
2.2	PINCH POINT DECAL	LE 5277	2
3	WASHER 1/2" USS ZINC PLATED		4
4	SHOULDER BOLT Ø0.50 X 0.75"L 0.38-16 UNC THREAD		4
5	NYLOCK NUT HEX 0.38-16 UNC ZP		4
6	ANCHOR TITEN HD Ø.5 X 6.00L ZINC PLATED	THD50600H	8
7	SOCKET HEAD SCREW .50-13 X 1.00"L UNC ZP		2
8	NUT, NYLOCK 0.50-13 UNC ZINC PLATED		2

STANDARD WARRANTY

Dockzilla Co. warrants that its products will be free from defects in design, materials, and workmanship for a period of 365 days from the date of shipment. All claims for breach of this warranty must be made within 30 days after defect is or can, with reasonable care, be detected and in no event no more than 30 days after the warranty has expired. In order to be entitled to the benefits of this warranty, the products must have been properly installed, maintained, and operated within their rated capacities and/or specified design parameters, and not otherwise abused. Periodic lubrication and adjustment is the sole responsibility of the owner. This warranty is Dockzilla Co. exclusive warranty. DOCKZILLA CO. EXPRESSLY DISCLAIMS ALL IMPLIED WARRANTIES, INCLUDING THE IMPLIED WARRANTIES OF MECHANABILITY AND FITNESS. Non-standard warranties, if any, must be specified to Dockzilla Co. in writing.

LIMITATION OF LIABILITY

DOCKZILLA CO. SHALL NOT IN ANY EVENT BE LIABLE FOR ANY LOSS OF USE OF ANY EQUIPMENT OR INCIDENTAL OR CONSEQUENTIAL DAMAGES OF ANY KIND, WHETHER FOR BREACH OF WARRANTY, NEGLIGENCE, OR STRICT LIABILITY.



Sales & Service:

Dockzilla Co.
12400 Whitewater Dr., Suite 110
Minnetonka, MN 55343

Phone: 1-800-637-3036
Fax: 952-401-0126